

The Nice
solutions

The most
complete
and innovative
range to automate
swing gates



Excellent reasons to choose Nice



Safety 24V

Great care of people safety and product quality.

Nice presents the complete range for automating swing gates :

lightweight, heavy, for residential or intensive use.

Nice has always the ideal solution for you!

The high quality of the employed materials grants silence and duration.

The different 24V versions, with their magnetic encoder, keep the selected values unchanged and grant safety and comfort to installations.

Convenience

A Nice automation system adds value to your home:

- you will be able to come and go feeling safe and secure, without getting out of the car
- the children will be safe and protected when playing in the garden
- the system will continue to work even during power failures thanks to the rechargeable batteries (optional)



Service

Dealers who offer Nice products to their customers believe in the value of quality; providing service that satisfies all the needs and wishes of customers, before and after sales, is a duty. Contact a Nice specialist with complete trust!

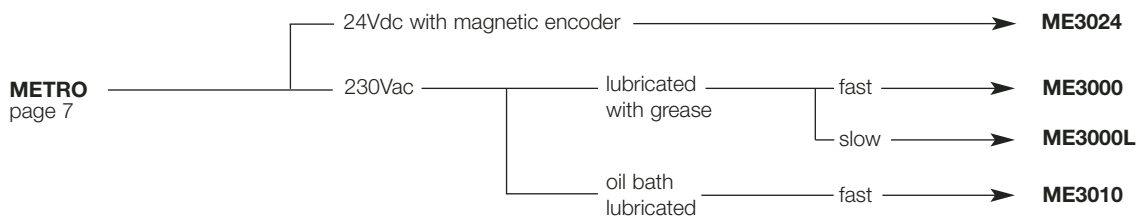
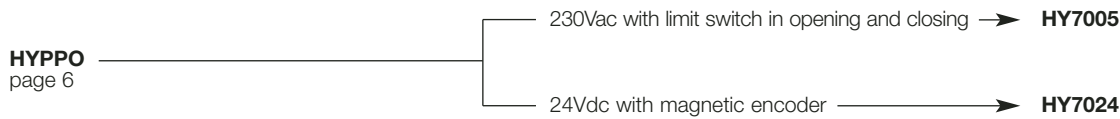
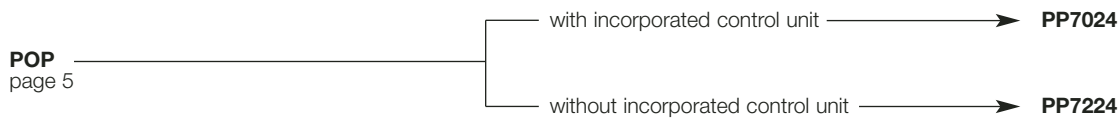
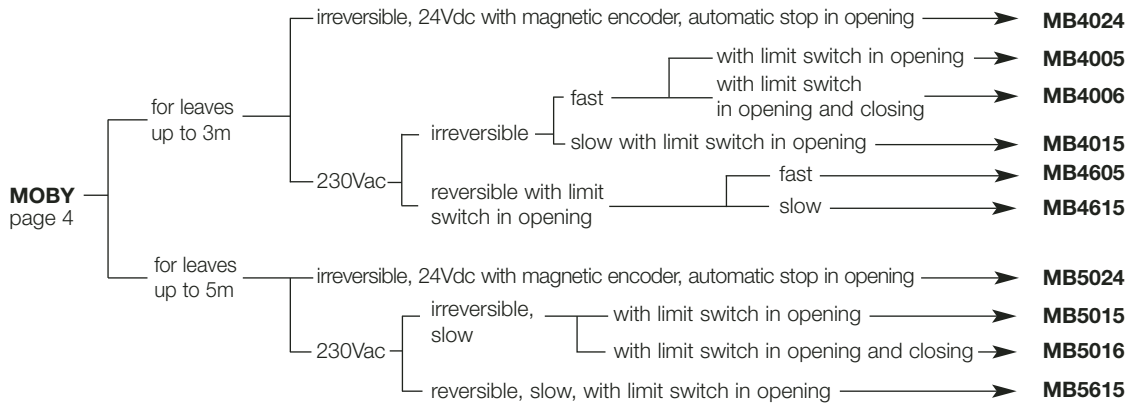
Design

Nice makes refined products, to use intuitively, appreciated by customers and imitated by the competition. Today, Nice products are exhibited in design and applied art museums, and were presented with an awards at the XIX Compasso d'Oro, the most important international event in the design field.



Index

Follow the arrow and choose the right product



Moby

Reliable and compact, perfect for intensive use

For swing gates with leaves up to 3m (Moby4000) and 5m (Moby5000).

Electromechanical gear motor surface mounted, also in 24Vdc version with magnetic encoder.

Reliability and noiseless operation:

fewer components and patented layout of the internal components.

Easy installation and service

with the waterproof, quick connector and incorporated condenser.

Quick, easy adjustment of the limit switches.

Bronze volute

to guarantee safe closing.

Recommended control units:

Mindy A3, A3F, A6, A6F, A60, A700F; for MB4024-MB5024 Mindy A824.

24Vdc version with magnetic encoder, perfect for intensive use

- easy programming by pressing a single button;
- clutch with anti-crush safety feature
- automatic memorization of limit switches in opening and closing with self-learning function
- pause time programming; partial opening; slowdown during opening and closing
- the system will operate during a blackout by means of rechargeable batteries

Aluminium body with polyester painting

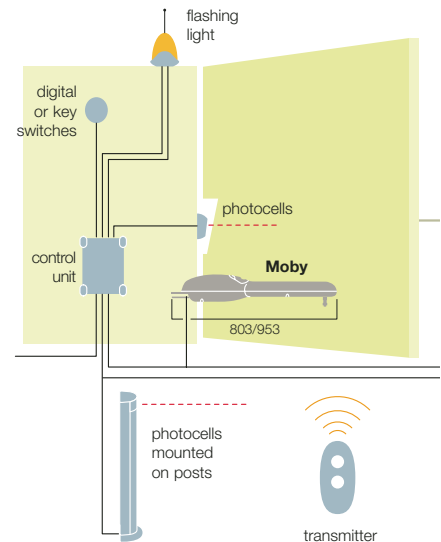
Aluminium Nice release: user-friendly, effortless, sturdy

Exclusive, patented layout of the internal components



Technical specifications

	MB4024	MB4005	MB4006	MB4015	MB4605	MB4615	MB5024	MB5015	MB5016	MB5615
Power (Vac 50Hz)	-	230			-			230		
(Vdc)	24	-			24			-		
Current absorbed (line) (A)	5	1.1		1.3		5	1.1		1.3	
Power absorbed (W)	120	230		300		120	230		300	
Incorporated capacitor (µF)	-	7			-			7		
Protection level (IP)	44									
Speed (m/s)	0.016		0.013	0.019	0.016		0.013	0.016		
Travel (mm)	310	270	310		470		430	470		
Max thrust (N)	2000									
Working temp. (°C Min/Max)	-20 ÷ +50									
Thermal cut-out (°C)	-	140			-			140		
Work cycle (%)	80	30			80			30		
Dimensions (mm)	803x110x110						953x110x110			
Weight (kg)	6						7			



Pop

Innovative and elegant, for residential use

For swing gates with leaves max. 2m, and those versions with large pillars and lightweight structures, ideal for one leaf pedestrian gates.
Electromechanical gear motor irreversible 24Vdc with articulated arm, surface mounted.

Two
 Irreversible 24Vdc versions complete with limit switch in opening either without control unit (PP7224) or with incorporated control unit (PP7024).

User-friendly:
 release with personalised Nice key designed for cord-type release.

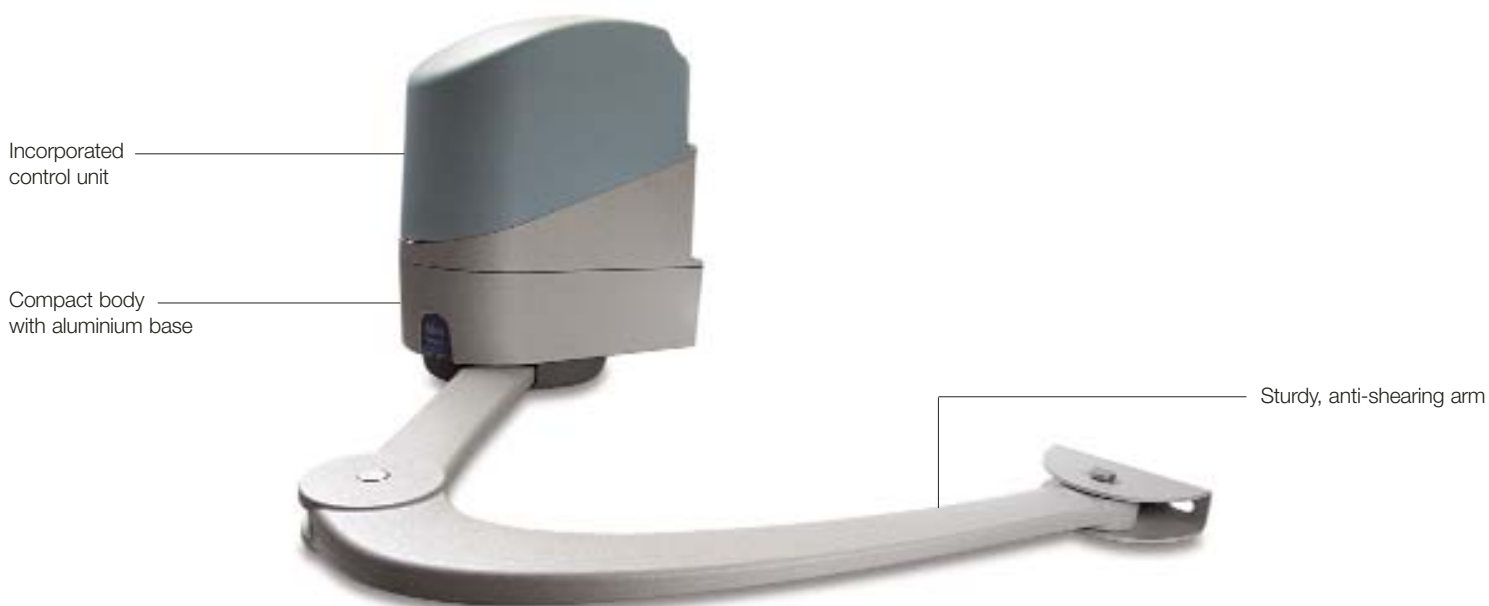
Sophisticated electronics:
 slowdown, obstacle detection system, can be linked to the 8K2 resistive sensitive edge.

Easy to install:
 no welding.

Compact:
 167mm in width, ideal for any kind of post.

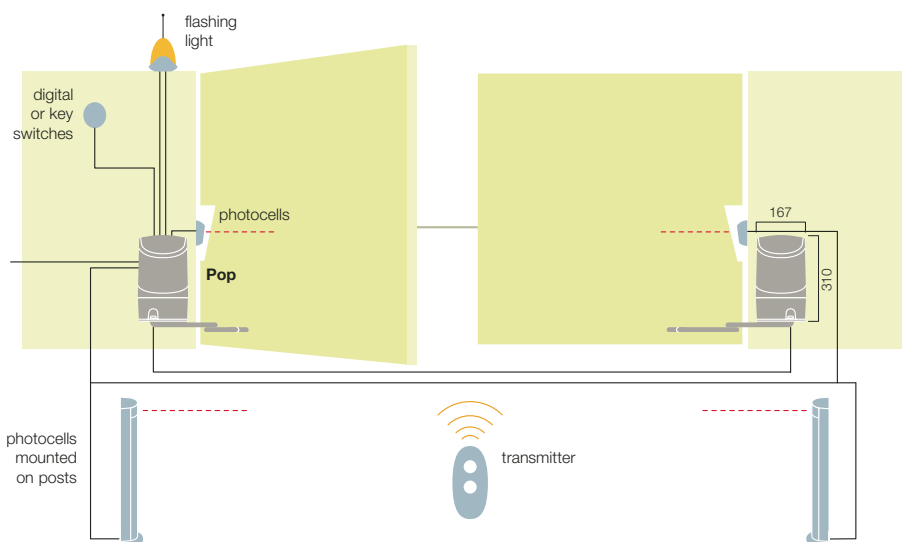
24Vdc version with magnetic encoder, perfect for intensive use

- easy programming by pressing a single button;
- clutch with anti-crush safety feature
- automatic memorization of limit switches in opening and closing with self-learning function
- pause time programming; pedestrian door; slowdown during opening and closing



Technical specifications

	PP7024	PP7224
Power (Vac 50Hz)	230	-
(Vdc)	-	24
Current absorbed (line) (A)	~1	3
Power absorbed (W)	75	
Protection level (IP)	44	
Torque (Nm)	180	
Speed (Rpm)	1.26-1.68	
Opening time (s)	10	
Working temp. (°C Min/Max)	-20 ÷ +50	
Insulation class (%)	1	B
Work cycle (%)	30	
Dimensions (mm)	167x310x254	
Weight (kg)	10	9.7



Hyppo

Reliable, strong and safe

For swing gates with leaves up to 3m also with large pillars. Electromechanical gear motor surface mounted, also in 24Vdc version with magnetic encoder, with articulated arm.

Single model

for right and left leaves.
Two irreversible versions, with 230Vac (HY7005) and 24Vdc (HY7024) power supplies with magnetic encoder.

Fewer connections mean **quicker installation.**

Pre-wired, incorporated double limit-switch both during opening and closing (HY7005).

Easy to install:

nothing welded to the gates.

Long-lasting:

solid metal mechanics.

Compact:

shockproof bodywork with no sharp corners.

Recommended control units:

Mindy A3, A3F, A6, A6F, A60, A700F; for HY7024 Mindy A824

24Vdc version with magnetic encoder, perfect for intensive use

- easy programming by pressing a single button
- clutch with anti-crush safety feature
- automatic memorization of limit switches in opening and closing with self-learning function
- pause time programming; partial opening; slowdown during opening and closing
- the system will operate during a blackout by means of rechargeable batteries

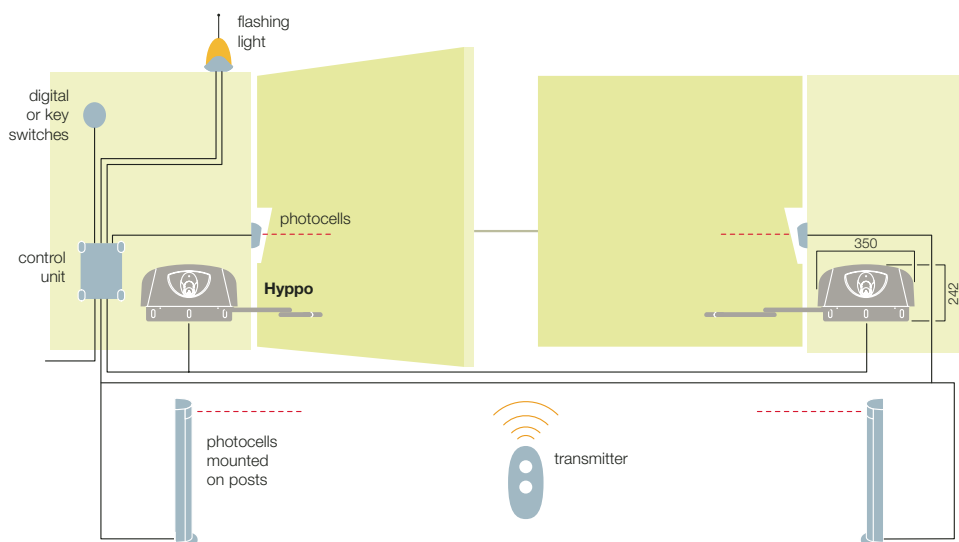
Die-cast, aluminium, key-operated unlock system, complete with protected key. Designed to accommodate external release, too.



Sturdy, anti-shearing arm, galvanised and painted; strengthened in those areas subjected to greater mechanical stress

Technical specifications

	HY7024	HY7005
Power (Vac 50Hz)	-	230
(Vdc)	24	-
Current absorbed (line) (A)	5	1.2
Power absorbed (W)	120	250
Incorporated capacitor (µF)	-	10
Protection level (IP)	44	
Torque (Nm)	250	400
Speed (Rpm)	2	1.7
Opening time (s)	10	12
Working temp. (°C Min/Max)	-20 ÷ +50	
Thermal cut-out (°C)	-	140
Work cycle (%)	80	30
Dimensions (mm)	350x242x165	
Weight (kg)	13	



Metro

Discreet and powerful for the most elegant installations

For swing gates with leaves up to 3.5m, underground installation. Electromechanical gear motor irreversible, also in 24Vdc version, with magnetic encoder.

Complete range:

4 types of gear motors and 4 models of foundation boxes, with or without key-operated unlock system, and complete with lever and rotation pin.

Long-lasting:

reinforced foundation box, 2.5mm thick, internal welding, and optimised galvanisation; internal parts in bronze alloy and metal.

Recommended control units:

Mindy A3, A3F, A6, A6F, A60, A700F; for ME3024 Mindy A824

Easy to use:

metal, key-operated unlock system, from both inside and out, easy to operate one-handed. New system of mechanical stop in closing Standard opening max. 110°, optional opening 360°.

24Vdc version with magnetic encoder, perfect for intensive use

- easy programming by pressing a single button;
- clutch with anti-crush safety feature
- automatic memorization of limit switches in opening and closing with self-learning function
- pause time programming; partial opening; slowdown during opening and closing
- the system will operate during a blackout by means of rechargeable batteries

Mechanical stop in opening and closing

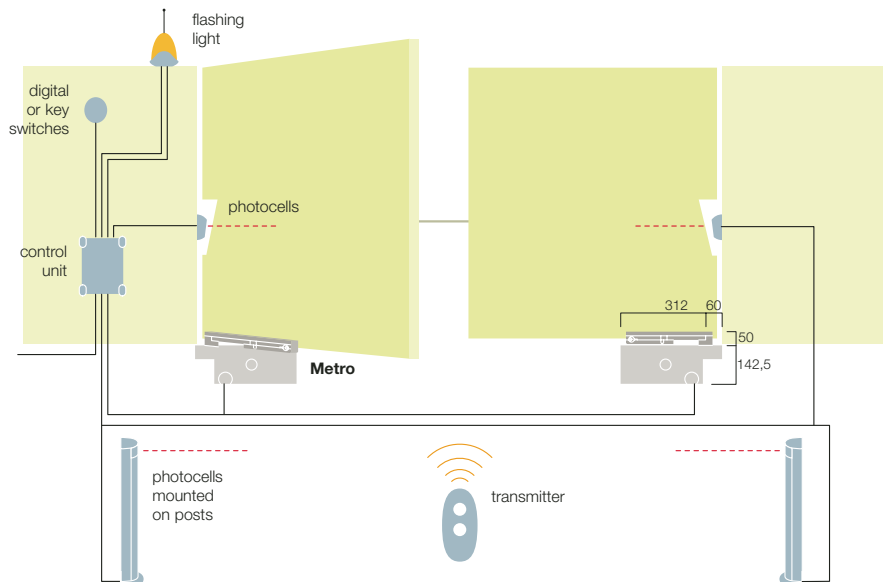
Solid aluminium gear motor



IP67 protection class. The system will also function when wet.

Technical specifications

	ME3024	ME3000	ME3000L	ME3010
Power (Vac 50Hz)	-	230		
(Vdc)	24	-		
Current absorbed (line) (A)	5	1.2	1.3	1.2
Power absorbed (W)	120	250	300	250
Incorporated capacitor (µF)	-	10		
Protection level (IP)	67			
Torque (Nm)	250	300	250	300
Speed (Rpm)	1.4	1.14	0.8	1.14
Working temp. (°C Min/Max)	-20 ÷ +50			
Thermal cut-out (°C)	-	140		
Work cycle (%)	80	30		40
Dimensions (mm)	372x192.5x306			
Weight (kg)	11		11.5	



The wide range of Nice electronics!

Radio control system



Flor
Transmitters also with incorporated transponder



Very
Miniaturised radio control



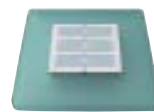
Go
Palm-top transmitters from the NiceWay series



Stone
Table-top transmitters from the NiceWay series



Ondo
Table-top or wall transmitters from the NiceWay series



Opla
Wall Transmitters from the NiceWay series

Accessories



Mom and Mocard
Proximity sensor for transponder card and for bimodal radio controls Flor-m



Mos
Key switches with automatic clasp lock



Mot
12-key digital switch with 2-wire connection to decoder or radio-controlled



Moonlight
Modular flashing signal light



Moon range, BF and 210
Fixed or adjustable, synchronised photocells with BlueBUS technology



Kio
Key switch with unlock device for cable release



Headquarter

Nice SpA
Oderzo TV Italia
Tel. +39.0422.85.38.38
Fax +39.0422.85.35.85
info@niceforyou.com

Nice in Italy

Nice Padova
Sarmeola di Rubano PD Italia
Tel. +39.049.89.78.93.2
Fax +39.049.89.73.85.2
infopd@niceforyou.com

Nice Roma
Roma Italia
Tel. +39.06.72.67.17.61
Fax +39.06.72.67.55.20
inforoma@niceforyou.com

Nice in the World

Nice France
Buchelay
Tel. +33.(0)1.30.33.95.95
Fax +33.(0)1.30.33.95.96
info@fr.niceforyou.com

Nice Rhône-Alpes
Decines Charpieu France
Tel. +33.(0)4.78.26.56.53
Fax +33.(0)4.78.26.57.53
info@fr.niceforyou.com

Nice France Sud
Aubagne France
Tel. +33.(0)4.42.62.42.52
Fax +33.(0)4.42.62.42.50
infomarseille@fr.niceforyou.com

Nice España Madrid
Tel. +34.9.16.16.33.00
Fax +34.9.16.16.30.10
info@es.niceforyou.com

Nice España Barcelona
Tel. +34.9.35.88.34.32
Fax +34.9.35.88.42.49
info@es.niceforyou.com

Nice Polska
Pruszków
Tel. +48.22.728.33.22
Fax +48.22.728.25.10
info@pl.niceforyou.com

Nice Belgium
Leuven (Heverlee)
Tel. +32.(0)16.38.69.00
Fax +32.(0)16.38.69.01
info@be.niceforyou.com

Nice UK
Chesterfield
Tel. +44.87.07.55.30.10
Fax +44.87.07.55.30.11
info@uk.niceforyou.com

Nice Romania
Cluj Napoca
Tel./Fax +40.264.45.31.27
info@ro.niceforyou.com

Nice Deutschland
Gelnhausen-Hailer
Tel. +49.60.51.91.52-0
Fax +49.60.51.91.52-119
info@de.niceforyou.com

Nice China
Shanghai
Tel. +86.21.575.701.46
+86.21.575.701.45
Fax +86.21.575.701.44
info@cn.niceforyou.com