



KABA®

Automatic sliding door SLA

Innovative. Dynamic. Attractive.



Automatic opening of doors

The automatic, contact-free opening of doors makes our day-to-day lives easier and more convenient. Highly reliable Kaba drive units provide trouble-free access from one room to another. The smooth automatic closing of doors induces a sense of well-being and security. This simple door operator fulfils, in a price-effective way, the structural needs of design and function.

Trouble-free

Whether young or old, able-bodied or disabled, the Kaba automatic unit provides convenient door access for all. Users who require hands-free operation, such as persons encumbered with bags and baggage, appreciate the trouble-free opening and closing of doors.

Contact-free

Just imagine how much more hygienic public toilets would become if hands never came into contact with door handles.

The busy parent with a child in arms and a bag full of shopping really appreciates barrier-free access to shops.

Well-being

The smooth automatic closing of doors cuts off troublesome draughts of air and induces a sense of well-being. An elegant meal in the romantic ambience of a favourite restaurant is pure enjoyment, safe in the knowledge that the reliable closing of the serving door will keep all unwanted noise and kitchen smells out of the dining area.

The sense of security is further enhanced by such freely-configurable management functions as locking after each closing operation or, after an establishment has closed, one-way traffic only.

Design

Structural specifications with respect to modern and attractive design, colour, translucent elements or customised door wings can all be catered for with the simple and cost-effective Kaba door operator.

Automatic doors for convenient access to retail establishments, fast-food restaurants and takeaways, ticket offices, souvenir shops, kiosks and many more locations.



The SLA automatic sliding door: High performance at an attractive price



Automatic doors matching the overall architectural design for use in offices, shops-within-shops, baker's and butcher's shops, pubs, bars, cafés, fitness studios and other building-access points.

4

The Kaba SLA sliding-door operator fulfils the concept of reduced-to-the-maximum, without cutting corners where quality and reliability are concerned. It offers maximum performance at a minimum price.

Wide range of models

The basic configuration offers starter-level entry to the wide choice of models in the Kaba range of automatic sliding doors. The tried-and-tested SLA operator offers carefully developed functions and user-oriented quality. Easy-to-use technology provides optimum solutions, with an excellent price-to-performance ratio.

Logical layout, easy to install

The compact design of the drive elements permits trouble-free installation in lightweight aluminium cases. Logical operating structures, carefully designed functions and direct access to the corresponding modules simplify the object-oriented assembly process.



Robust and time-saving

The high quality of the components used helps guarantee reliable operation and a long service life. The hinge-type covering is easily secured in place to allow unobstructed access for maintenance. The pre-fitted drive unit requires only minimal installation and set-up time.

User-friendly

All functions are extremely simple to adjust. Adjustment of door-operating characteristics is carried out by means of a potentiometer, and the door operating program is selected using a key-activated switch.

Flexible and versatile

The drive unit can be combined both with Kaba door profile systems and many other common door configurations.

Operation program switch, motion detectors and push-buttons

Program switch

The operating programs of the Kaba automatic door are selected by means of a key-operated program switch.



Locked The door is closed and locked. It can be opened using a key command.



Exit The door functions in one-way mode, with only one opening element (usually the inside unit) enabled to trigger the door-opening mechanism.



Automatic The door actuates whenever the opening element generates an impulse. It is not locked when in the closed position.



Manual/Open
The door opens and stops freely.
The door can be operated manually.



Push-buttons

It is also possible to connect such additional elements as push-buttons, contact-free proximity switches and emergency stop buttons. The Kaba range includes various types of operating and security elements designed to complement the functions of the SLA automatic sliding door.

Motion detectors

The opening of the door is normally triggered by motion detectors designed to detect the presence of persons in the doorway. Impulse elements, whether supplied by Kaba or of other standard types, perform such functions as protection for persons who remain stationary in the doorway, the detection of direction of movement, or the filtering-out of passing traffic (to prevent unnecessary opening of the door).

Elements for maximum personal protection

Personal protection is of utmost importance where the operation of automatic doors is concerned. Various safety elements prevent the accidental touching of moving door wings. Squeezing and shearing points are avoided by construction measures. The concept of safe operation also relies on correct installation and initial start-up, along with regular inspections and proper maintenance of the system.

Photoelectric barriers and light curtains

Two performance-tested photoelectric barriers, or two security scanners with a fan-shaped operating range, detect persons or objects located in the doorway and prevent the automatic door from closing.

Operation characteristics in the event of a power cut

Systems not equipped with battery power: The door comes to a stop. Once the power supply is reconnected, the program switch position is reset at adjustment speed.

Systems equipped with battery power: The battery guarantees backup operating power for the door for about 30 minutes. If the battery is discharged, the door opens or closes in accordance with the preset program setting.

Systems with rubber cord (FR CO 48): If there is a power failure, the rubber cord opens the door automatically. You are recommended to use this system in combination with battery backup.

Power limit

The dynamic forces established in DIN 18650 are not exceeded if the opening door wing encounters an obstacle.

Tried-and-tested for safety

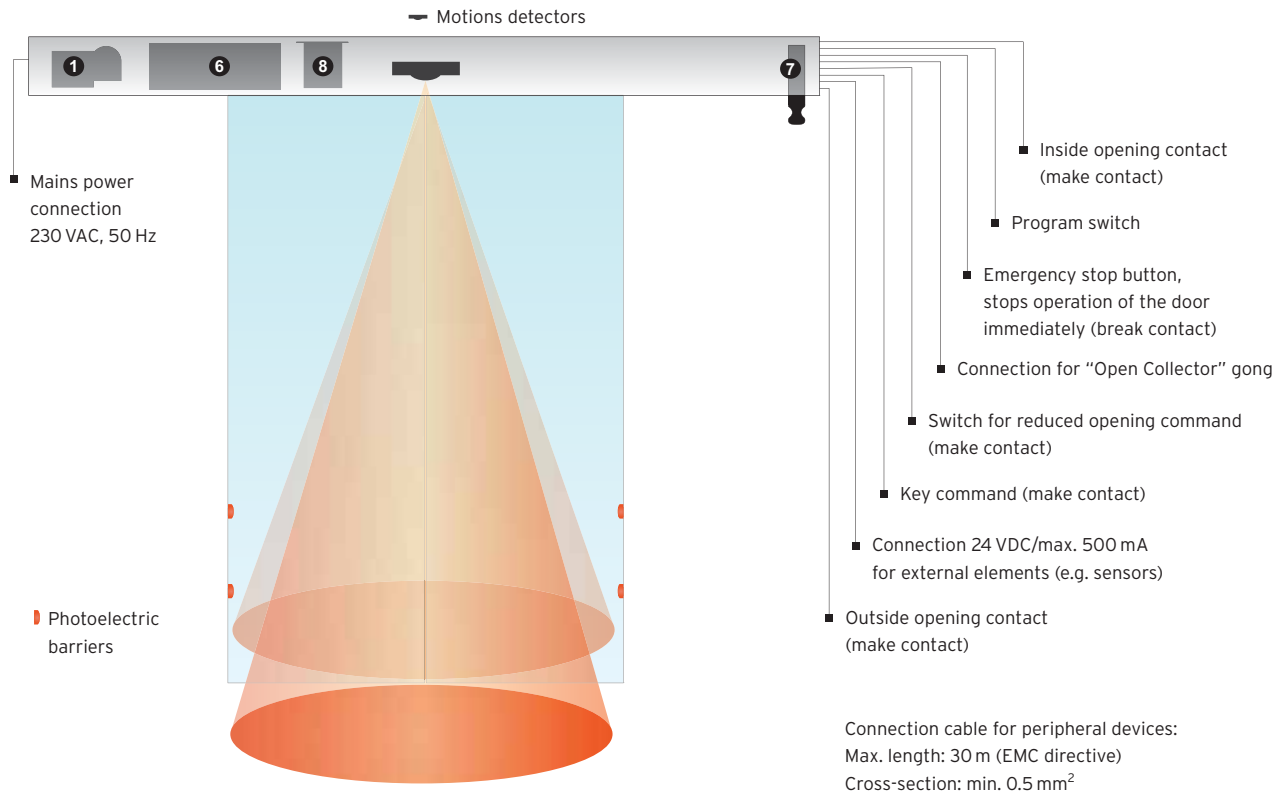
The drive system has been type-approved by the TÜV testing organisation. The automatic door and its specified safety elements fulfil the standards and guidelines established by DIN 18650.



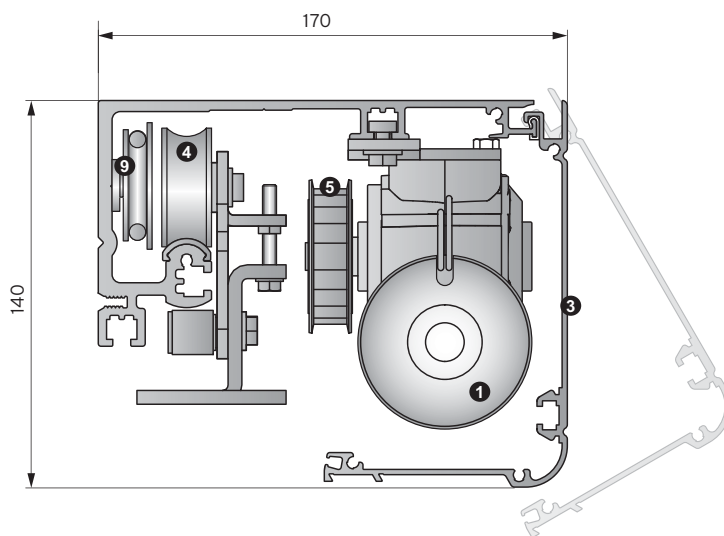
Carefully selected safety elements prevent the accidental touching of moving doors.



Characteristics of SLA drive-system technology



8



Drive-system components

- ❶ **Compact drive unit** With electronically-controlled door operation, maintenance-free with high performance
- ❷ **Running profile**
- ❸ **Covering** Simple to secure in hinged-up position
- ❹ **Running carriage** With three-dimensional compensation for structural tolerances and adjustable door wing suspension, height adjustment to +/- 10 mm, lateral adjustment to +/- 15 mm
- ❺ **Power transmission via toothed belt**
- ❻ **Self-teaching microprocessor control system**

Installed in protective housing, with automatic adjustment for optimum dynamic operating performance of door

 - Obstacle detection with automatic return mechanism
 - Locking pressure: 40 N
 - Dynamic power limitation
 - LED-type function and error indicators
 - Prioritised fulfilment of operating commands
 - Weight and path measurement
 - Testing of safety and security elements
 - End-point positioning
 - Rubber-cord detection

Simple manual adjustment of the following four functions:

 - Closing speed
 - Opening speed
 - Hold-open time
 - Reduced opening

Selectable default settings with DIL switch

 - Sense of rotation
 - Activation of locking mechanism
 - Tracking adjustment
- ❼ **Electromechanical locking mechanism** with manual release. Secures the closed door panels. Can be enhanced with a remote manual release function
- ❽ **Battery pack for emergency operation** If there is a power failure, the battery pack guarantees interruption-free operation (for about 30 minutes). Wake-up function: Performs one door opening and leaves it open if the battery becomes discharged before power is restored
- ❾ **Emergency opening with rubber cord** If there is a power failure, the built-in rubber cord (France CO 48) opens the door once and leaves it open

Technical specifications

Max. opening speed	0.6 m/s (adjustable)
Max. closing speed	0.6 m/s (mass-dependent, adjustable)
Hold-open time, day: adjustable time until the door closes	0 – 30 s (adjustable)
Mains power connection	230 VAC, 50 Hz
Stat. drive power	max. 150 N
Protection rating	For use in dry locations only
Power consumption	80 W
Ambient temperature	-15°C to +50°C

Range of application

	bi-parting	Single-winged
Clearance opening width LW	900... 3000 mm	700... 2000 mm
Clearance height	Optimum 2100 - 2300 mm, maximum 2500 mm	
Max. wing weight	2 x 80 kg	1x 100 kg
Minimal drive case length	2 x LW + 100 mm	
Kaba wing systems, tested to DIN 18650 standards	PS 90, PSX	

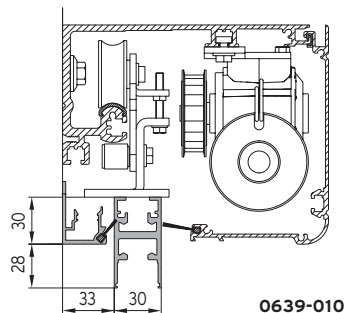
Different wing systems can be combined with the SLA drive unit

The versatile combinations offered by the use of standard aluminium profile systems allow flexible adaptation to each building's architectural features and perfect integration into any planning concept. The right selection of materials, shapes and colours gives each sliding door its own individual character. Note that all the specified safety clearances and standards established in DIN18650 must be observed in order to prevent cutting and crushing injuries.

Door wings with Kaba profile systems are fitted with all-round sealing gaskets. These permit the standards-compliant installation of different thicknesses of glass, or the use of fillings such as plastic, wood, aluminium, etc., in accordance with the wishes of the interior designer or building owner.

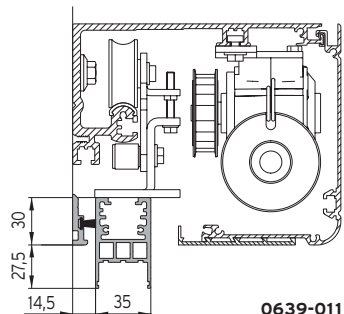
Drive unit

Wing system



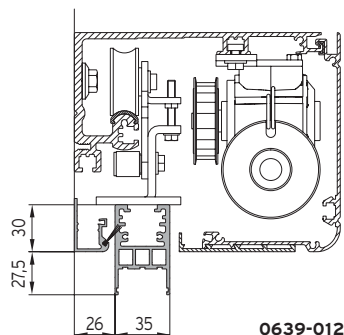
0639-010

- Kaba PS 90
- Integration of photoelectric barrier
 - Incl. sealing gaskets
 - Without side elements
 - For glass measuring from 8-20 mm in thickness



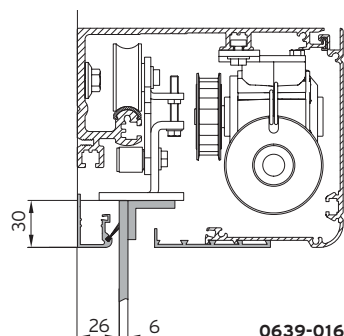
0639-011

- Kaba PSX
- Incl. sealing gaskets
 - Without side elements
 - For glass measuring from 6-24 mm in thickness
 - Filling made of plastic, wood, aluminium, etc.



0639-012

- Kaba PSX
- Integration of photoelectric barrier
 - Incl. sealing gaskets
 - Without side elements
 - For glass measuring from 6-24 mm in thickness
 - Filling made of plastic, wood, aluminium, etc.

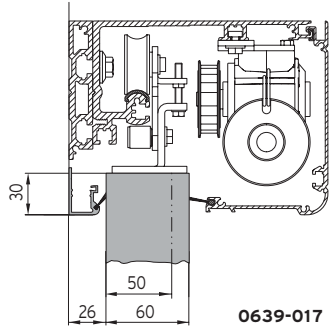


0639-016

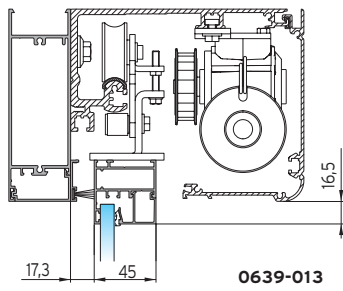
Any product 6-50

Drive unit

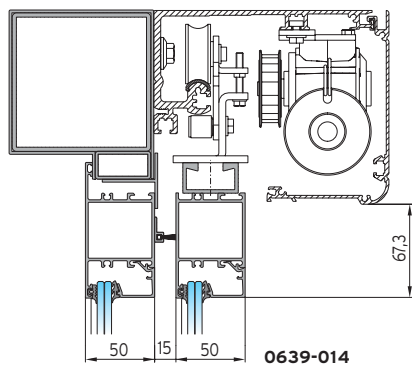
Wing system



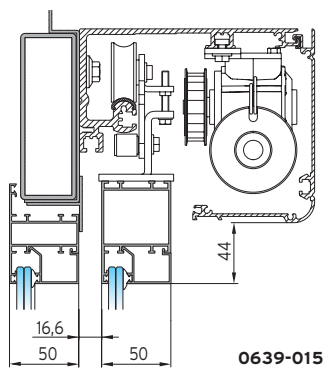
Any product 50-60
• Integration of photoelectric barrier
• With or without sealing gaskets



Metra system



Schüco system



Alcoa R50 system

Your regional specialist for automatic doors

KABA®